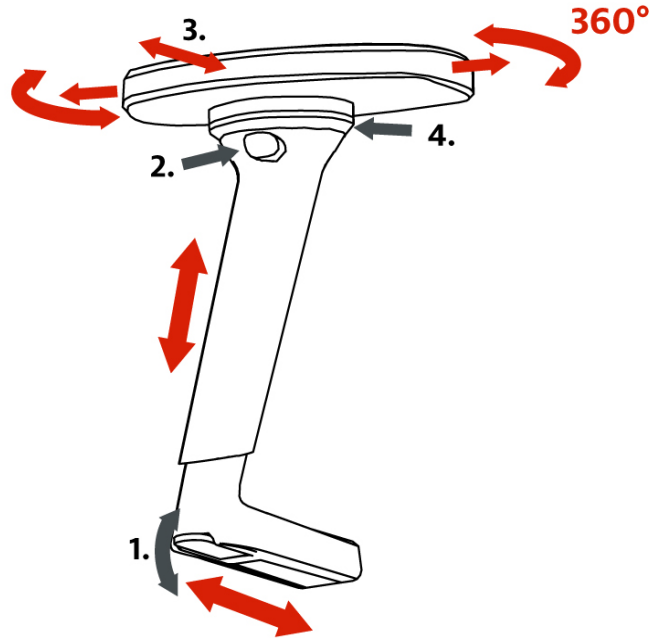


## V9 Armrest instructions



### 1- Width adjustment

Push down the lever located under the seat to unlock the clamping system. To increase or decrease width, push or pull the armrest until the desired position is reached. Relock the clamping system. While adjusting width, make sure that the distance between each armrest and the seat is the same on both sides.

### 2- Height adjustment

Push the button located on the outside of the arm structure and slide armrest up or down to desired position. Release button. While adjusting the height, confirm that both armrests are at the same height by making sure that the graduated scale located on the inside of arm structure shows the same number on both arms.

### 3- Arm pad position adjustment

Push or pull them in their forward-rearward or left-right axis to the desired position.

### 4- Arm pads angle adjustment

Push and hold the button located under the arm pad on the inside surface and rotate to the desired position. Release button.