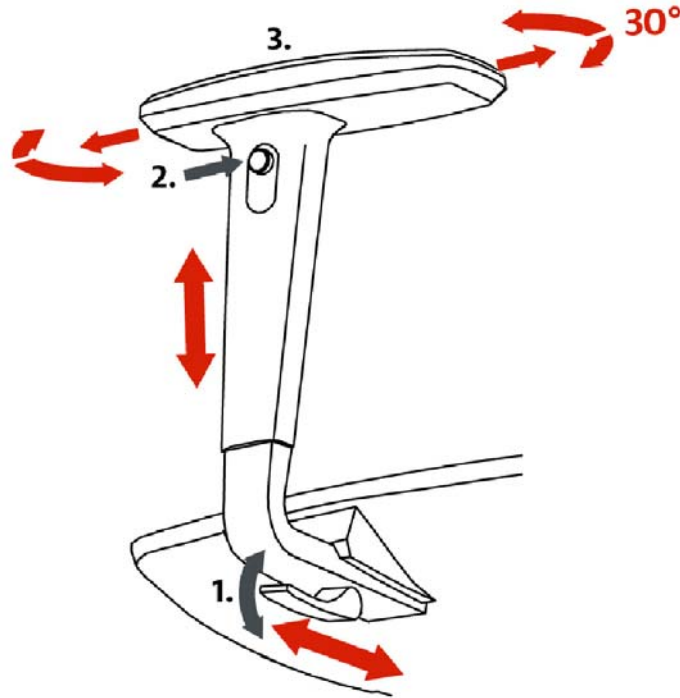


## V1 Armrest instructions



### 1- Width adjustment

To adjust the width, push down the lever located under the seat to unlock the clamping system. To increase or decrease width, push or pull the armrest until the desired position is reached. Relock the clamping system. Make sure that the distance between the armrest and the seat is the same on both sides.

### 2- Height adjustment

To adjust height, push the button located on the outside of the arm structure and slide armrest up or down to desired position. Release button. Make sure that both armrests are at the same height by verifying that the graduated scale located on the inside of arm structure shows the same number on both arms.

### 3- Arm pads position and angle adjustment

Push, pull (forward-rearward motion) or rotate (30° inward or outward) to the desired position.