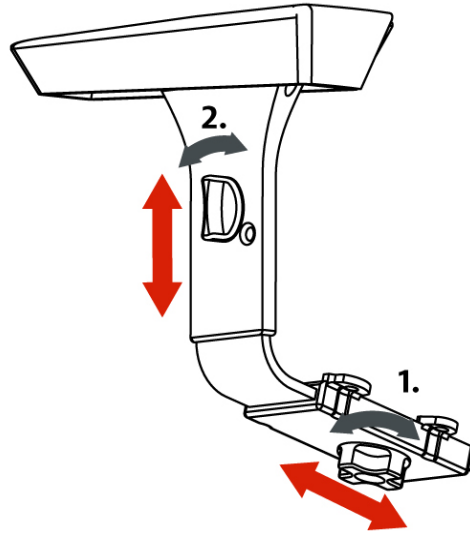


## 4B Armrest instructions



### 1- Width adjustment

Turn the knob located under the seat. To increase width, turn the knob counter clockwise until the desired position is reached. To decrease width, turn the knob clockwise. Make sure that the distance between the armrest and the seat is the same on both sides.

### 2- Height adjustment

Turn the knob located on the vertical surface of the armrests. To increase height, turn the knob counter clockwise to the desired position. To decrease height, turn the knob clockwise. Make sure that both armrests are at the same height by verifying that both dials (located near the knob) show the same number.